

**10kA**

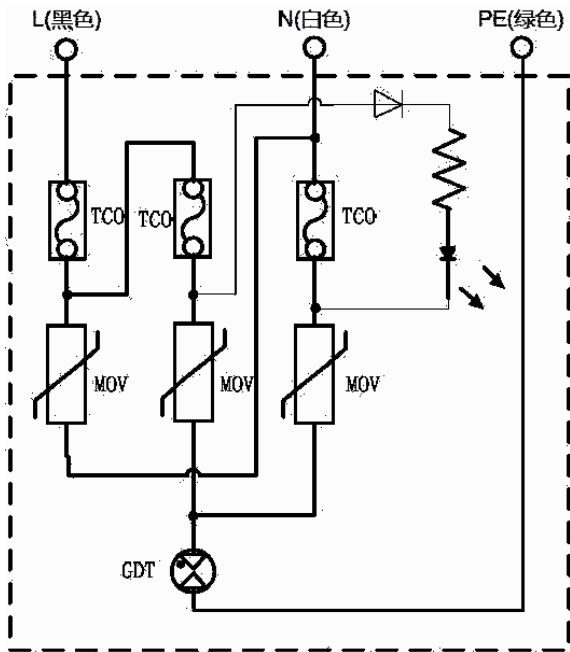
	100 Vac		277 Vac	
(MCOV)	-	-	320 Vac	
	47 Hz	-	63 Hz	
(8/20 s)	-	-	10 kA	
15 kA 10 kA 3 kA 1 kA	1 15 100 500	- - - -	- - - -	

	-40 °C	-	+50 °C	PU-20KD10KTTN PU-20KD10KTVA PU-20KD10KTSL PU-20KD10KTSL-FT01
	-40 °C	-	+85 °C	PU-20KS10KTTN PU-20KS10KTVA
( 24 )	-40 °C	-	+85 °C	: 75% RH
	-10 °C	-	+40 °C	: 75% RH

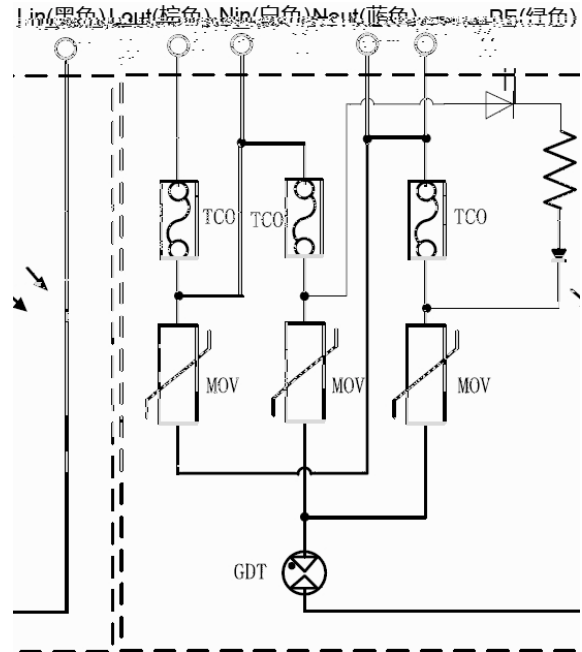
UL	UL 1449: Transient Voltage Surge Suppressors
CE/DEMKO	EN 61643-11: Surge protective devices connected to low-voltage power distribution systems - Requirements and testing methods
IEEE C62.41	Guide on the Surge Environment in Low-Voltage (1000 V and Less) AC Power Circuits



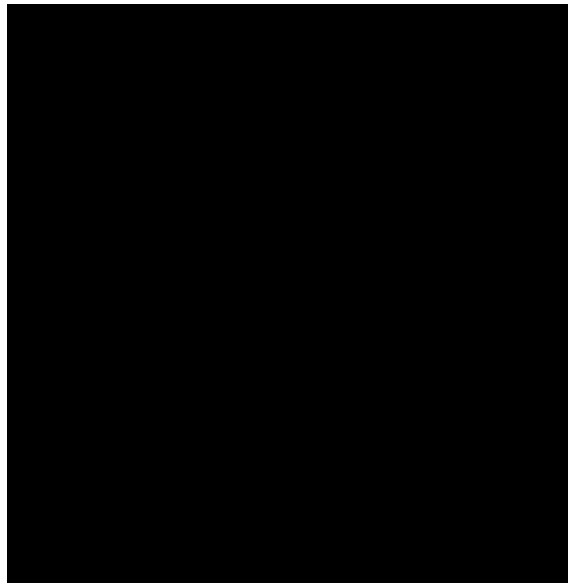
PU-20KS10KTVA



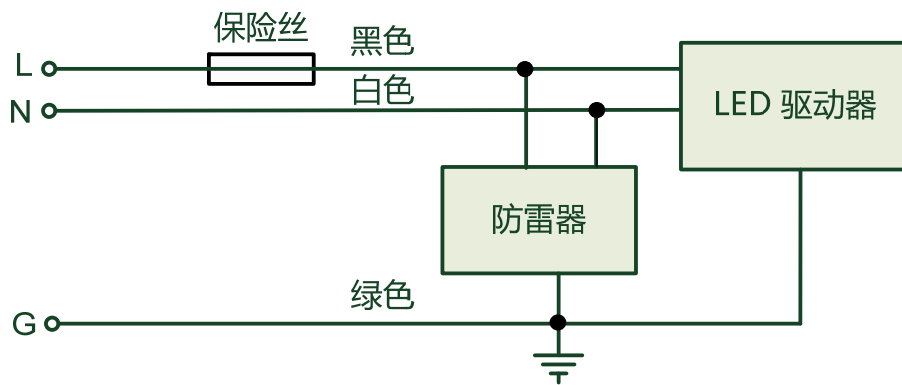
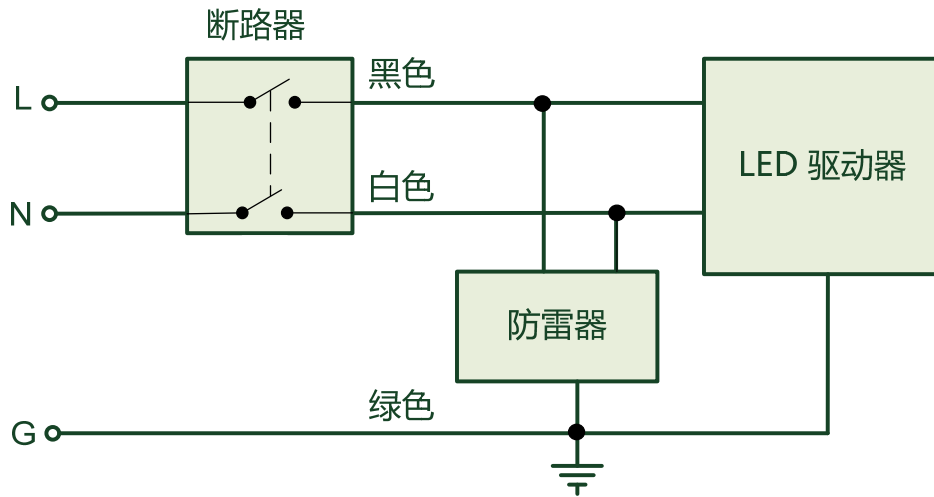
PU-20KD10KTVA



PU-20KD10KTSL/PU-20KD10KTSL-FT01



PU-20KS10KTTN & PU-20KS10KTVA

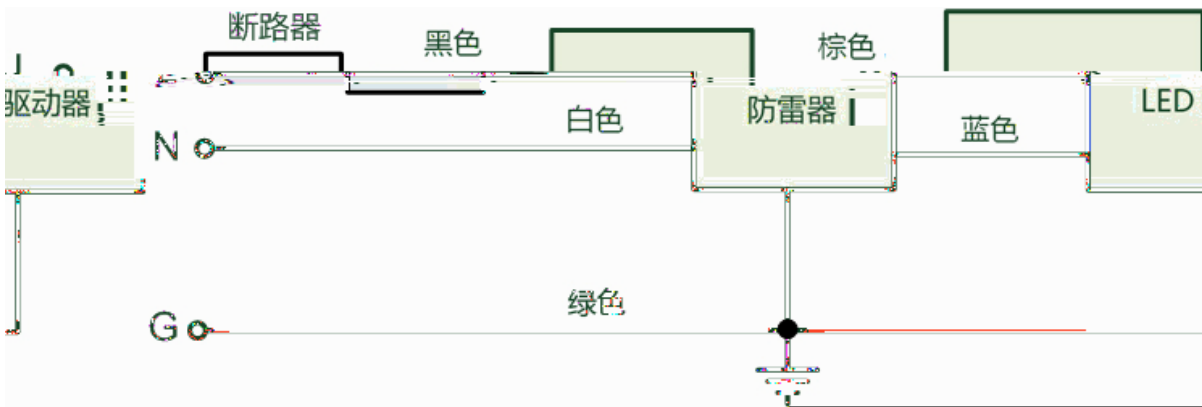
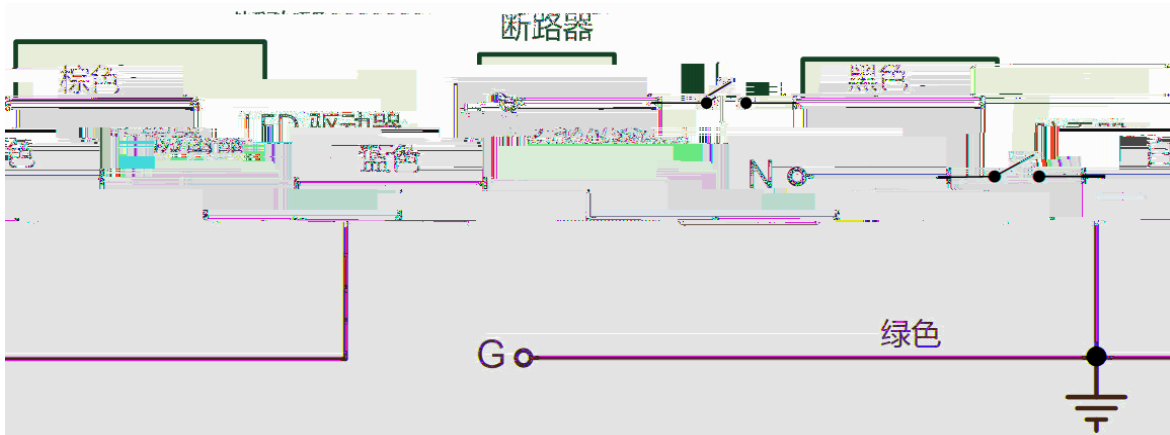


TCO

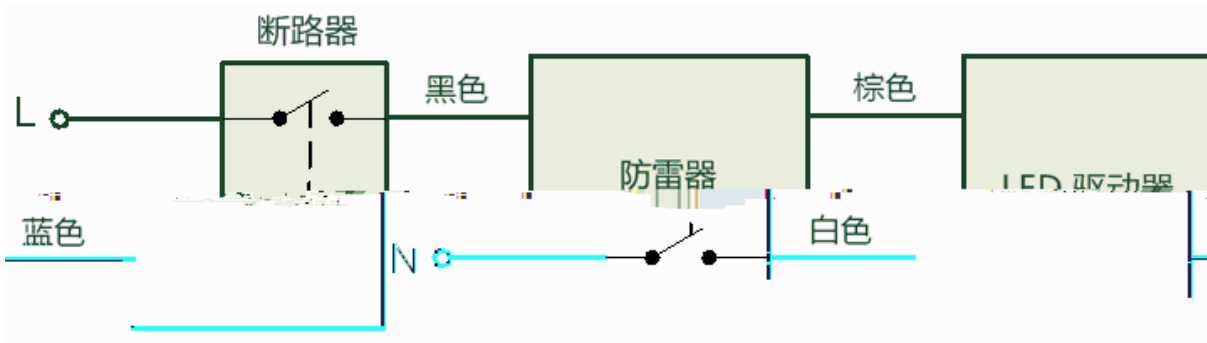
LED

MCB

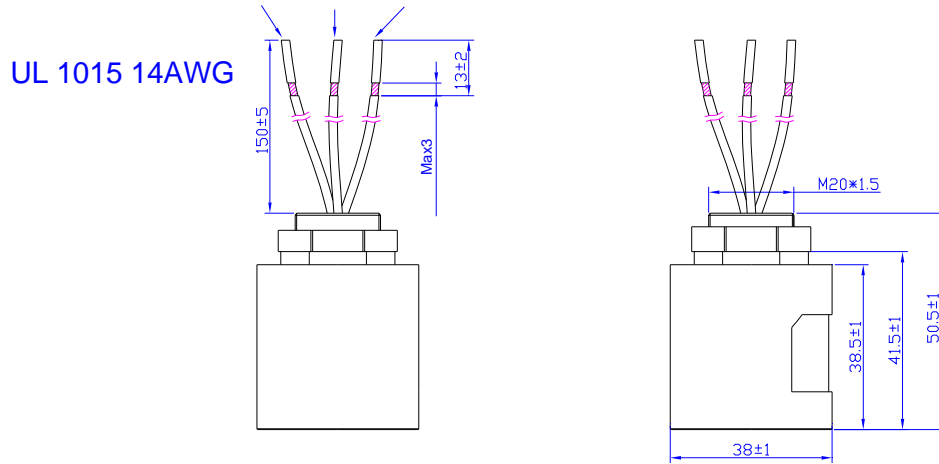
PU-20KD10KTTN & PU-20KD10KTVA



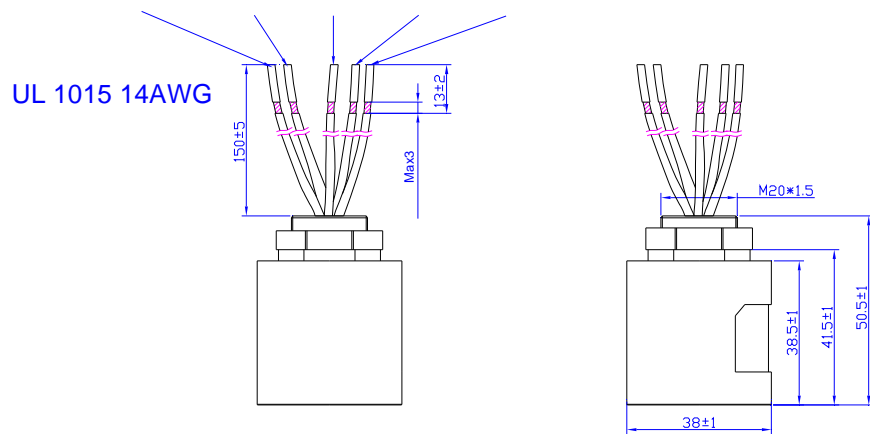
PU-20KD10KTSL/ PU-20KD10KTSL-FT01



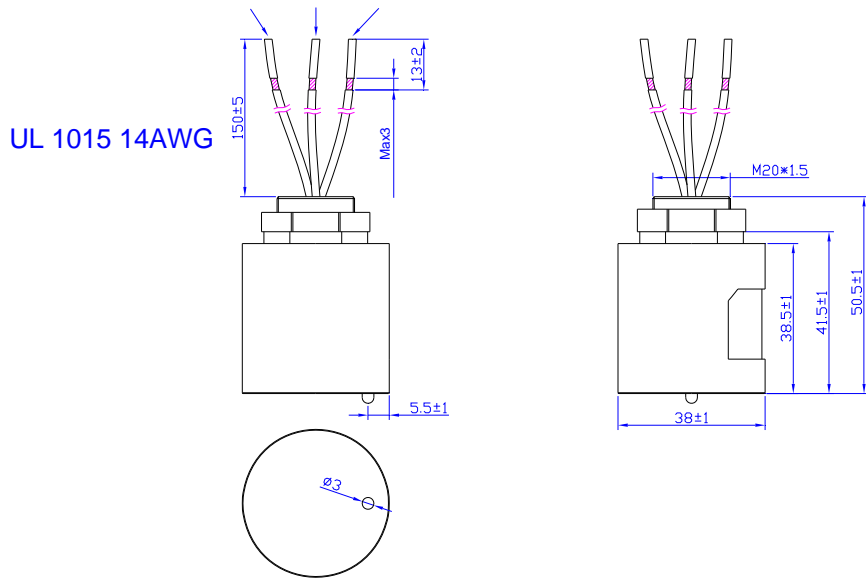
**PU-20KS10KTTN**



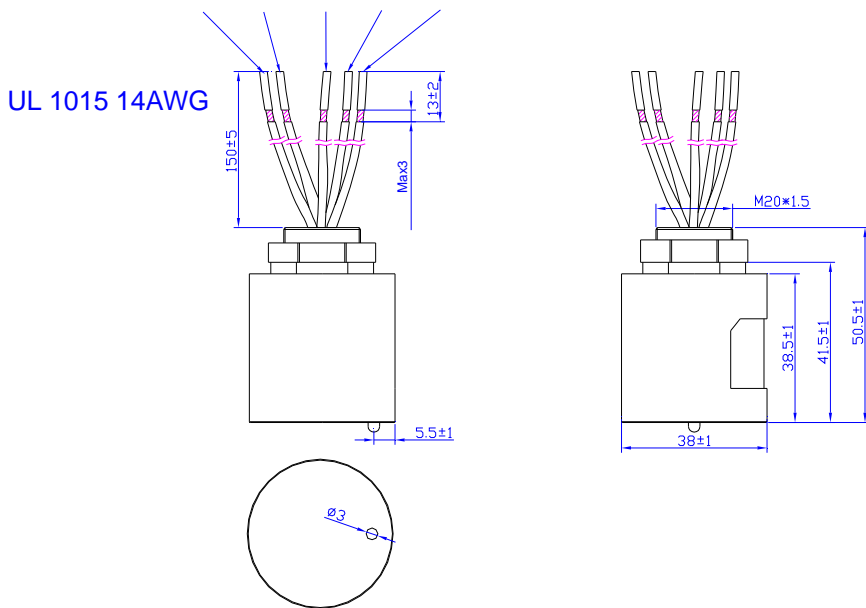
**PU-20KD10KTTN**



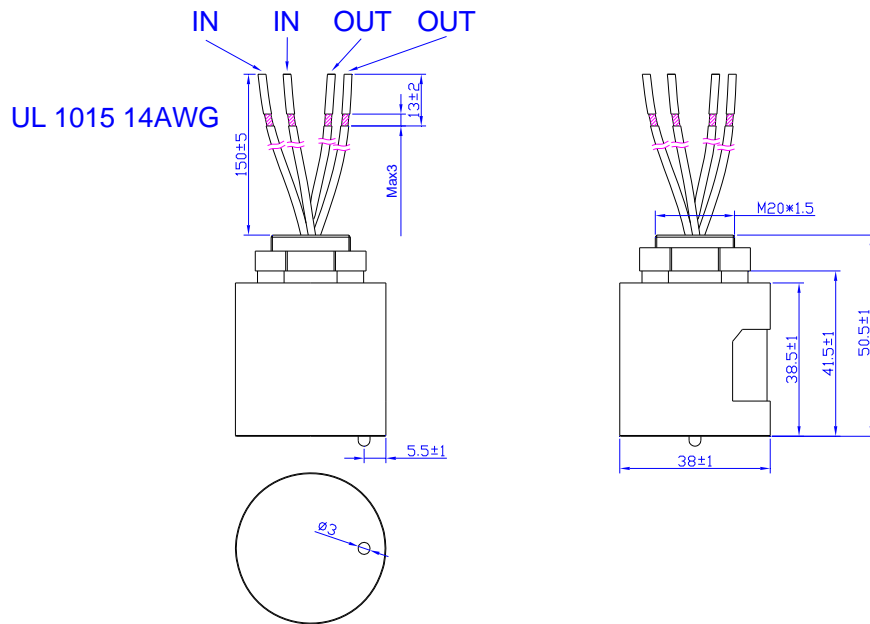
**PU-20KS10KTVA**



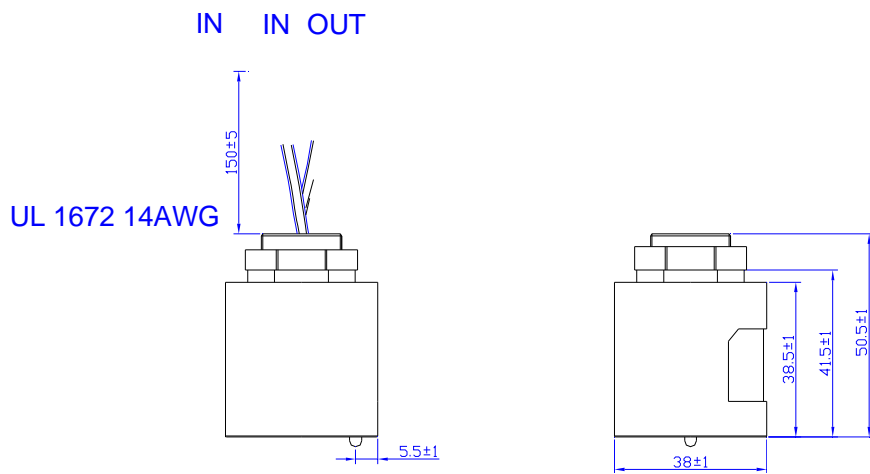
**PU-20KD10KTVA**



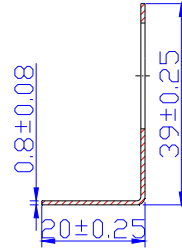
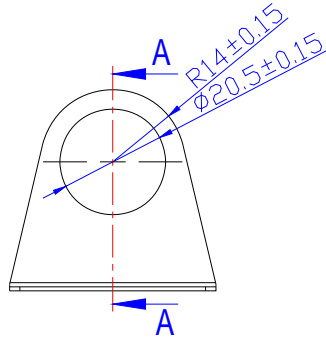
**PU-20KD10KTSL**



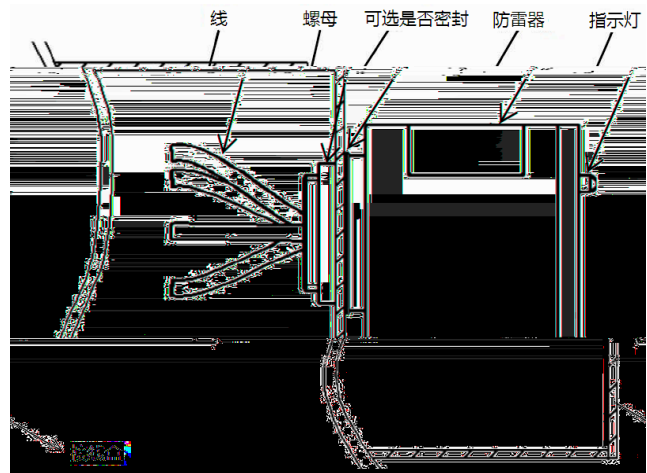
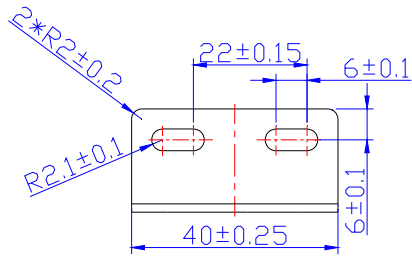
**PU-20KD10KTSL-FT01**



BRU-20KS10KT



A-A Section View



2014-04-25	A		/	/
2014-11-15	B	CE/ DEMKO	NA	CE/ DEMKO
2015-04-24	C	PU-20KD10KTTN	/	
		PU-20KD10KTVA	/	
2015-08-31	D	" "	" " " "	" " " "
2018-01-12	E		/	
			/	
2018-04-26	F		/	
		-	/	
		(PU - 20KD 10KTTN /PU - 20KD10KTVA /PU - 20KD 10KTSL/ PU 20KD 10KTSL-FT01)	/	